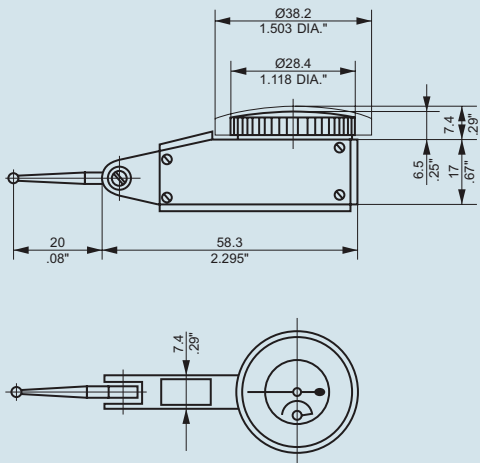
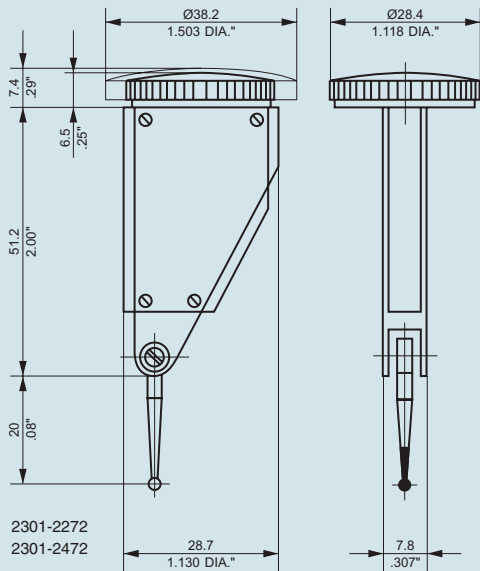


**Fühlhebelmessgeräte
Test indicators**



2301-2252
2301-2452



2301-2272
2301-2472

Technische Daten / Technical specification

| Bestell-Nr. Order no. | Messbereich Measuring range | Ausführung Execution | Teilung Graduation | Zifferblatt Ø Dial Ø | Fehlergrenze fe Max error fe |
|--------------------------|--------------------------------|-------------------------|-----------------------|-------------------------|---------------------------------|
| 2301-2252 | 1.6 mm | horizontal | 0.01 mm | 28.4 mm | Werksnorm / works standard |
| 2301-2452 | 1.6 mm | horizontal | 0.01 mm | 38.4 mm | Werksnorm / works standard |
| 2301-2272 | 1.6 mm | vertikal / vertical | 0.01 mm | 28.4 mm | Werksnorm / works standard |
| 2301-2472 | 1.6 mm | vertikal / vertical | 0.01 mm | 38.4 mm | Werksnorm / works standard |

Zubehör / Accessories

Siehe Seite / See page A 45 / A 46